

Installation Instructions

ASP
BATHS

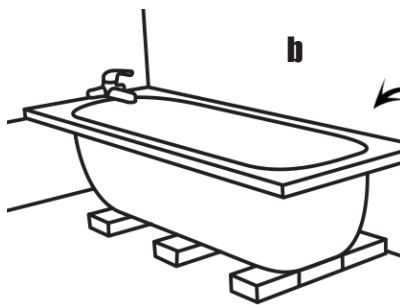
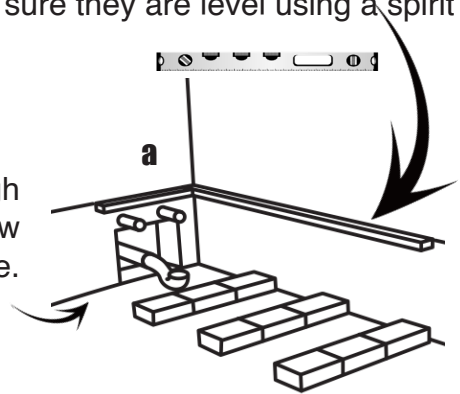
Most baths are supplied with plastic film to prevent damage to the bath. **Do not** remove this film until you have completed the installation.

Most baths are installed at a recommended height of 450mm of the floor but you can decide what height will be comfortable for you. Measure the space necessary for the waste and overflow to drain properly once installed.

Mark the height of the bath including trap height on the wall and keep in mind if your tiling to maybe adjust your height to minimize tile cutting where possible.

Fasten wooden support brackets to the wall firmly and make sure they are level using a spirit level.

Place 3 to 4 equally spaced rows of bricks with enough cement under the bath's ribs for support. The first row should be as close as possible to the waste as possible.

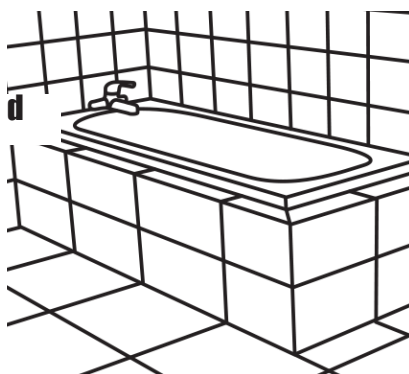
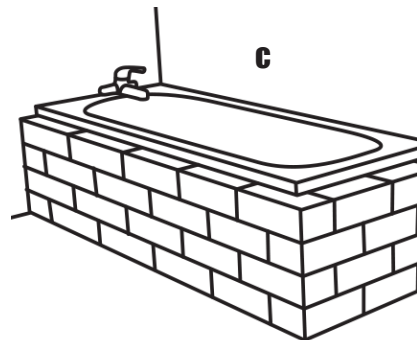


Now position your bath in place with the side and back situated on the brackets. Check again with the spirit level if the bath is still level on all sides.

Install the taps and waste fittings.

Brick up the open sides of the bath. Think about where you want your access trap to allow access to your waste and overflow if you ever have to gain access again.

Keep in mind to leave enough space so when the walls are plastered and tiled they will be flush with the bath edge.



Plaster walls and tile where wanted and or needed. Use **only** a mildew resistant silicone sealant between where the tiles and bath come together.

Now remove the plastic film that is still covering the bath.

Remove all rubble, plaster and paint drips from the bath and check for scratches.

Minor scratches can be removed by polishing with any metal polish.

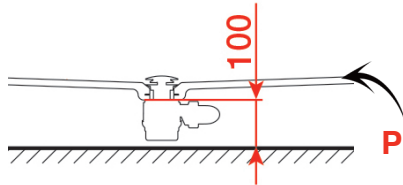
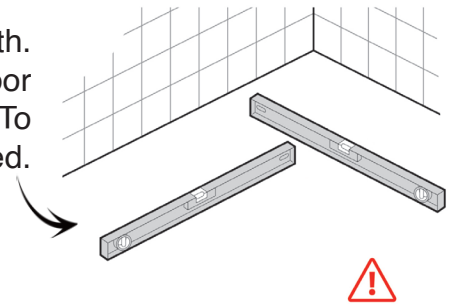
NO CLAIM will be entertained for material defect, scratches, colour variation, chips, cracks, burn marks or other form of surface imperfection after the product has been installed.

Installation Instructions

ASP
BATHS

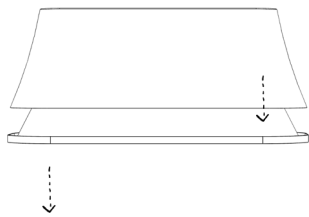
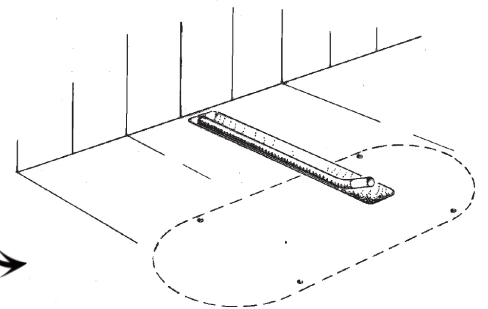
Choose the right place for installing the Skirted bath. Keep in mind where the existing plumbing installation is. You should hire a professional plumber if you need to move any existing plumbing.

A. Ensure the floor is in the perfect condition to install the bath. The floor should be level for the bath to be installed. If the floor is not level you might have to prep the floor to make it level. To install a Skirted bath on an unlevelled floor is **not** recommended.



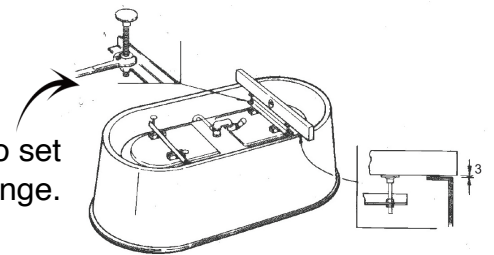
Please take note the minimum waste depth required for installation.

B. Mark the space and shape on the floor of the skirt and measure and make sure your drain aligns perfectly with the waste of the bath.



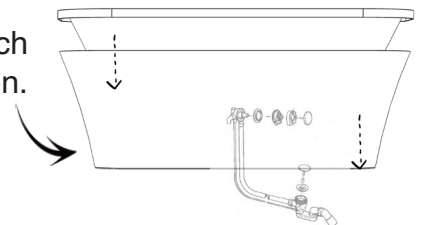
C. Turn bath upside down on a carpet or non scratch surface and insert skirt.

D. Use straight edge and spirit level to set feet 3mm above skirt flange.



E. Apply silicon to the skirt before it is turned around.

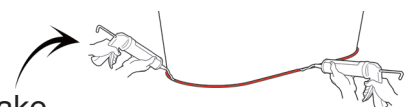
F. Install skirt on required position. Attach plumbing and lower bath into position.



G. Fill the bath with water and then drain while inspecting to see if there is any leaks.



H. Silicon everywhere needed and make sure skirt is firmly in place, leaving for 24 hours to dry before use.



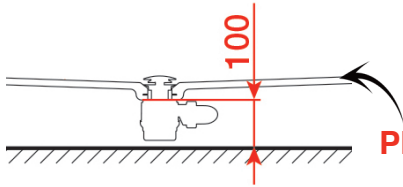
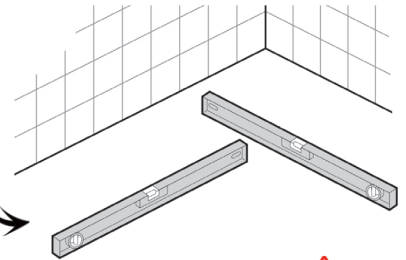
NO CLAIM will be entertained for material defect, scratches, colour variation, chips, cracks, burn marks or other form of surface imperfection after the product has been installed.

Installation Instructions

ASP
BATHS

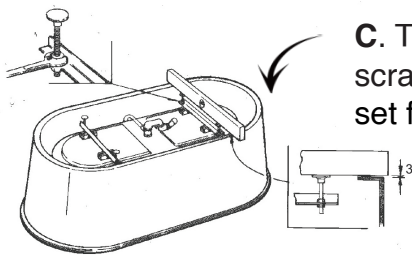
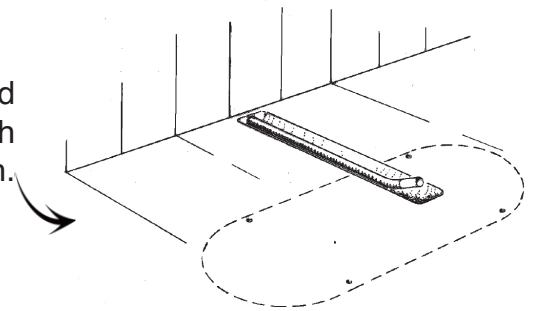
Choose the right place for installing the One Piece bath. Keep in mind where the existing plumbing installation is. You should hire a professional plumber if you need to move any existing plumbing.

- A.** Ensure the floor is in the perfect condition to install the bath. The floor should be level for the bath to be installed. If the floor is not level you might have to prep the floor to make it level. To install a One Piece bath on an unlevelled floor is **not** recommended.



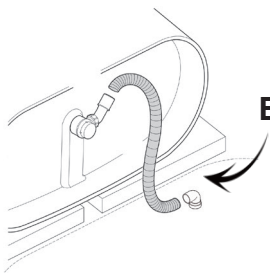
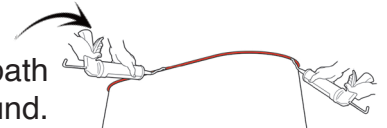
Please take note the minimum waste depth required for installation.

- B.** Mark the space and shape on the floor of the skirt and measure and make sure your drain aligns perfectly with the waste of the bath.



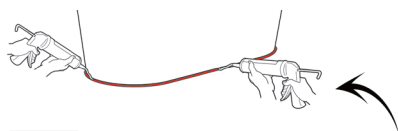
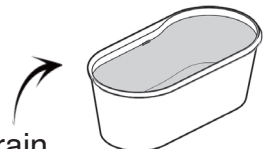
- C.** Turn the bath upside down on a carpet or non scratch surface. Use straight edge and spirit level to set feet 3mm above flange.

- D.** Apply silicon to the base of the bath ridge before it is turned around.



- E.** Attach plumbing and place bath firmly into position.

- F.** Fill the bath with water and then drain while inspecting to see if there are any leaks.



- G.** Silicon everywhere needed and make sure skirt is firmly in place, leaving for 24 hours to dry before use.

NO CLAIM will be entertained for material defect, scratches, colour variation, chips, cracks, burn marks or other form of surface imperfection after the product has been installed.